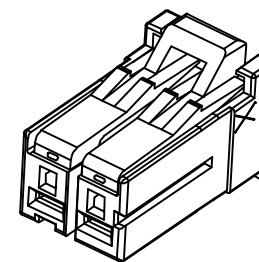
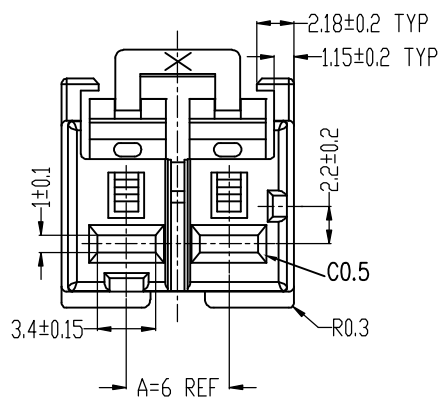


HSF

NOTES:

- 1.Voltage Rating:600V AC/DC;
- 2.Withstand Voltage: 2200V AC;
- 3.Insulation Resistance: 1000MΩ Min;
- 4.Operating Temperature: -55℃ to +105℃;
- 5.Insulator Material: PBT,G.F,UL94V-0,BK;
- 6.Mating Terminal:WD6350-3TD4XXX01



Ordering Information

WD6000-1 H 02 B 0 01

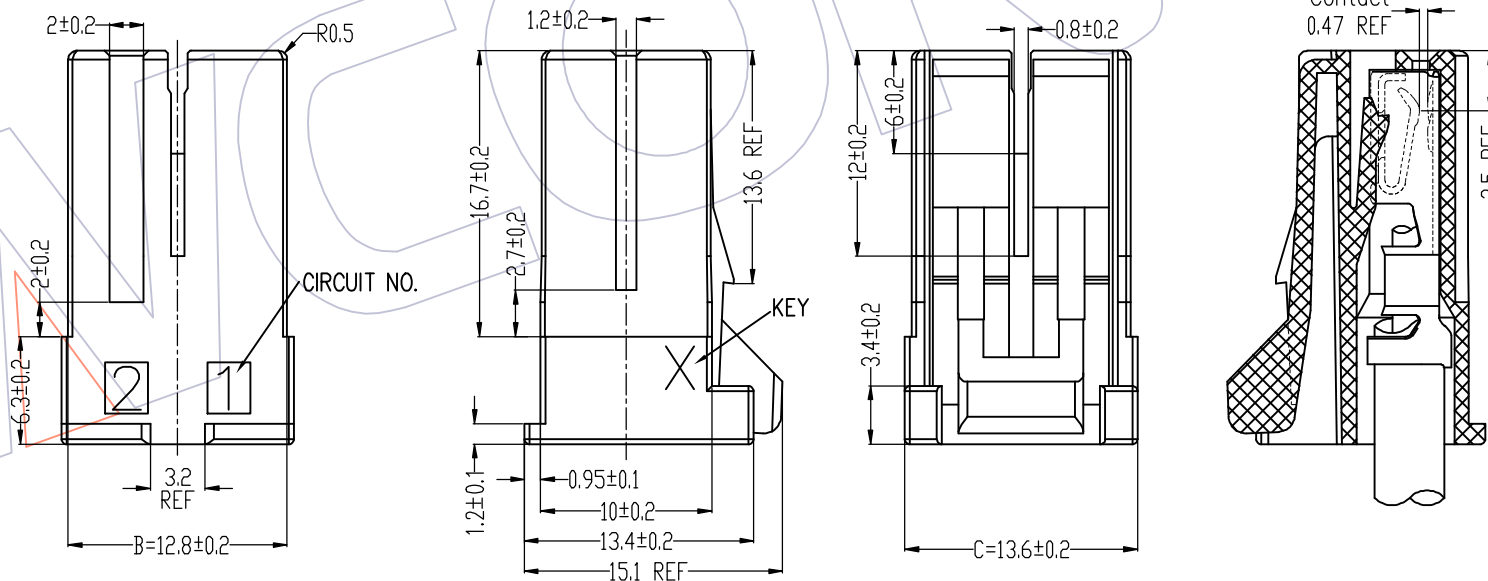
1=Single Row
H=HOUSING

No.of Pins:
02=2P;

Color:
B=Black

PACKING:PE Bag

CODE OF KEYING
01=X;



REV	DATE	MODIFICATION DESCRIPTION	CHANGE	OPERATION		DRAW	DATE	SCALE	FIT	PART NO.
				X.X	±0.40					
A1	2024.04.01	Additional explanation	OHJ	X.XX	±0.25	Houfu Peng	2021.06.02	UNIT	mm	WD6000-1H02B001
A0	2021.06.02	NEW		X.XXX	±0.15	CHECK	DATE	SIZE	A4	
				Angle	± 3'	APPROVE	DATE	SHEET	1/1	TITLE: 6.0mm DYN. Type Single Row Housing 2P(X-KEY)
				DIM	TOL			PROJ.	⌀	Customer NO.

WCON

Http: www.wcon.com

WCON-Dongguan	WCON-Kunshan
Tel: +86 769 85358920	Tel: +86 512 57468408
Fax: +86 769 85358915	Fax: +86 512 57468468
E-mail: sales@wcon.com	E-mail: salesks@wcon.com