

HSF

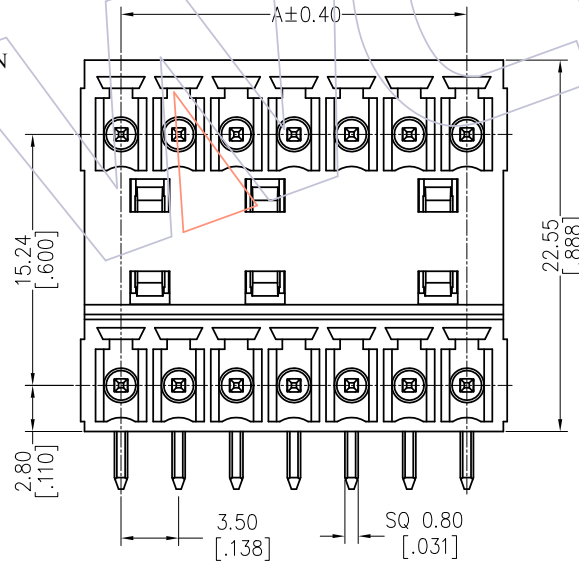
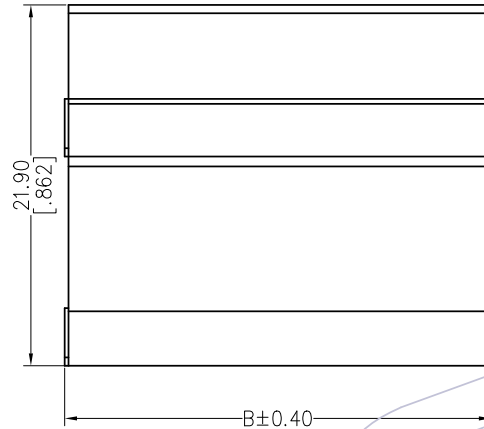
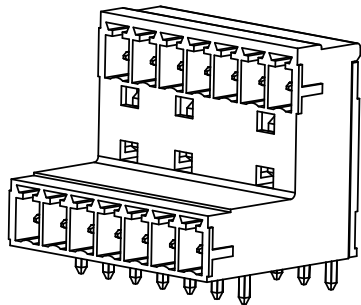
NOTES:

1. MATERIAL:
 - 1.1 HOUSING: PA66+30%GF(UL94V-0)
 - 1.2 COVER: PA66+30%GF(UL94V-0)
 - 1.3 TERMINAL: BRASS, MATTE TIN PLATED OVER NICKEL
2. ELECTRICAL:
 - 2.1 CURRENT RATING: 8 A
 - 2.2 VOLTAGE RATING: 300 V
 - 2.3 CONTACT RESISTANCE: 8 mΩ MAX.
 - 2.4 DIELECTRIC WITHSTANDING VOLTAGE: 2000V AC
 - 2.5 INSULATION RESISTANCE: 1000 MΩ MIN
3. ENVIRONMENTAL:
 - 3.1 OPERATION TEMPERATURE: -40°C TO +105°C
4. No. OF POSITIONS: 2~20
5. ALL MATERIALS SHOULD BE COMPLIANT TO ROHS

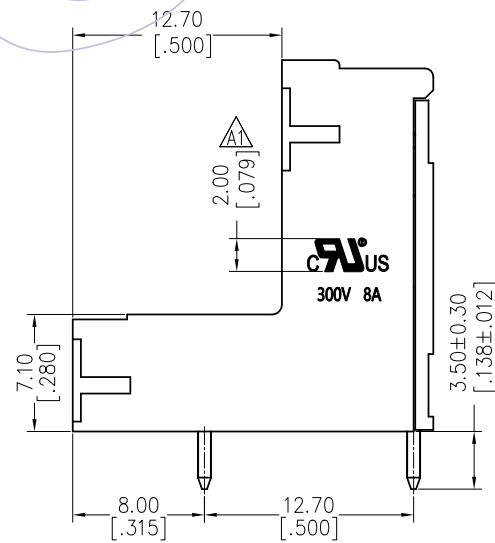
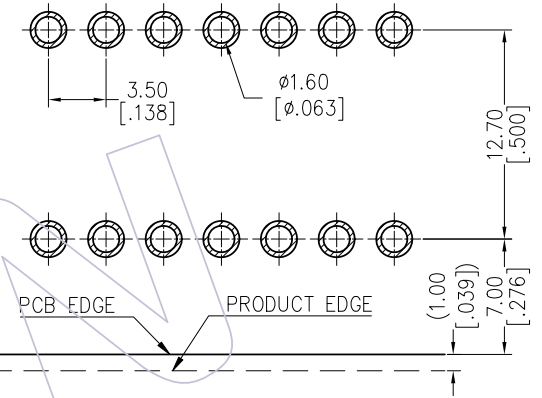
Ordering Information:

P M 350 - 3 R XX A SM 1 N

M=Male
 No. of Pins (Per Row) 02-20P
 Contact Plated SM=Matte Tin
 N=W/O WCON
 Pitch 350=3.50
 Color A=Green
 Series No.



Recommended P.C.B Layout(Top Side)
 (PCB BOARD TOLERANCE±0.05)



No. Of PIN	DIM.A	DIM.B
02	3.50	8.40
03	7.00	11.90
04	10.50	15.40
05	14.00	18.90
06	17.50	22.40
07	21.00	25.90
08	24.50	29.40
09	28.00	32.90
10	31.50	36.40
11	35.00	39.90
12	38.50	43.40
13	42.00	46.90
14	45.50	50.40
15	49.00	53.90
16	52.50	57.40
17	56.00	60.90
18	59.50	64.40
19	63.00	67.90
20	66.50	71.40

REV	DATE	MODIFICATION DESCRIPTION	CHANGE	OPERATION		DRAW	DATE	SCALE	FIT	PART NO.
				X.X	±0.40					
A1	2020/11/19	ADD UL LOGO	XSR	X.XX	±0.25	CHECK	DATE	UNIT	inch	TITLE: 3.50mm Pitch Male Pluggable Terminal Blocks With Double Stagger Tier
A0	2013/09/17	NEW	---	X.XXX	±0.15	APPROVE	DATE	SIZE	A4	
				Angle	± 3'			SHEET	1/1	
				DIM	TOL			PROJ.		Customer NO.

WCON

Http: www.wcon.com

WCON-Dongguan
 Tel: +86 769 85358920
 Fax: +86 769 85358915
 E-mail: sales@wcon.com

WCON-Kunshan
 Tel: +86 512 57468408
 Fax: +86 512 57468468
 E-mail: salesks@wcon.com