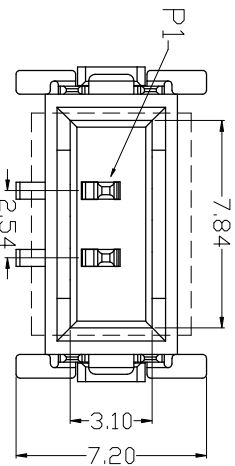
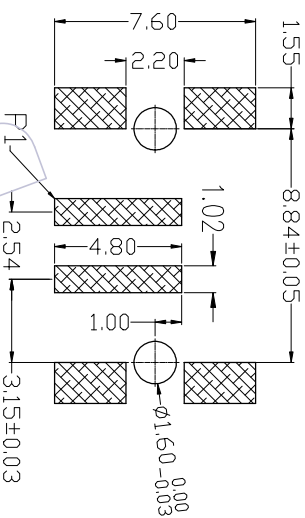


HSP

- NOTES:
- No. of Positions: 2 Pin
 - Rated Current: 12.0 A Max;
 - Contact Resistance: 20mΩ Max;
 - Withstand Voltage: 2000V AC;
 - Insulation Resistance: 1000MΩ Min ;
 - Operation Temperature: -55℃ to +150℃ ;
 - Housing Material: LCP
 - Contact Material: Copper Alloy ;
 - Contact Plating: Au over Ni ;



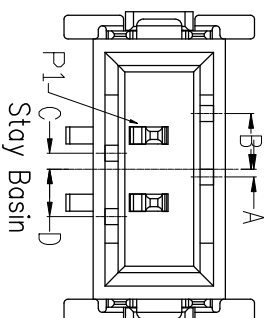
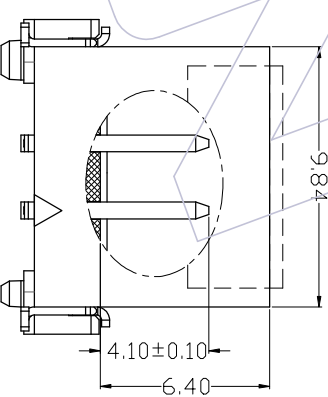
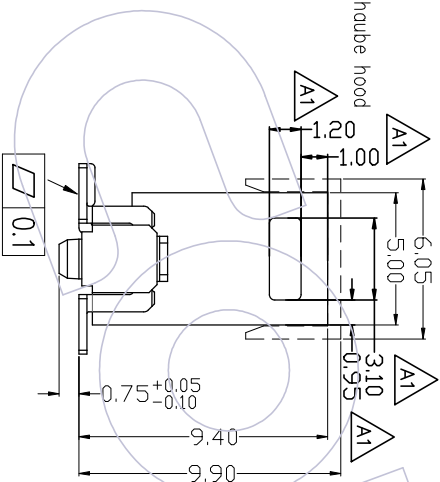
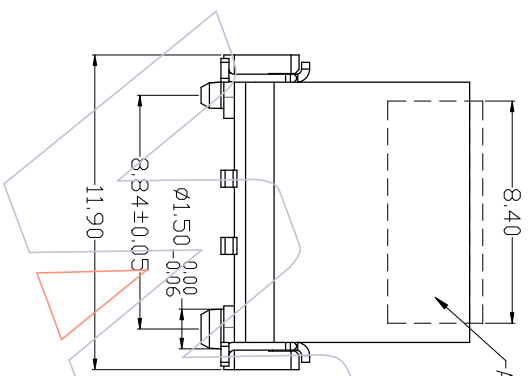
Recommended P.C.B Layout(Top Side)
(PCB BOARD TOLERANCE±0.05)



Ordering Information

3915-P 02-1 M XX W D X R 1

Contact Plated: _____ Color: _____
 W3=10u" Gold /Matte Sn B=BLACK
 W4=15u" Gold /Matte Sn U=BLUE
 W5=30u" Gold /Matte Sn G=GREEN
 R=RED



PART NO.	COLOR	防呆尺寸			
		A	B	C	D
3915-P02-1MXXWDBR1	BLACK	0.3	2.1	0.6	1.8
3915-P02-1MXXWDUR1	BLUE	0.9	1.5	1.2	1.2
3915-P02-1MXXWDGR1	GREEN	1.5	0.9	1.8	0.6
3915-P02-1MXXWDRR1	RED	2.1	0.3	2.4	0.0

REV	DATE	MODIFICATION DESCRIPTION	CHANGE	OPERATION		DRAW	DATE	SCALE	FIT	PART NO.	TITLE:	WCON-Dongguan	WCON-Kunshan
				XX	±0.40								
A1	2024/02/01	Modify Drawing		XXX	±0.25	CHECK	DATE	UNIT	inch				
A0	2019/07/05	NEW		XXXX	±0.15	APPROVE	DATE	SIZE	A4				
				Angle	± 3°			SHEET	1/1		Customer NO.		
				DIM	TOL			PROJ.					

Tel: +86 769 85358920 Fax: +86 512 57468408
 Tel: +86 769 85358915 Fax: +86 512 57468468
 E-mail: sales@wcon.com E-mail: sales@wcon.com